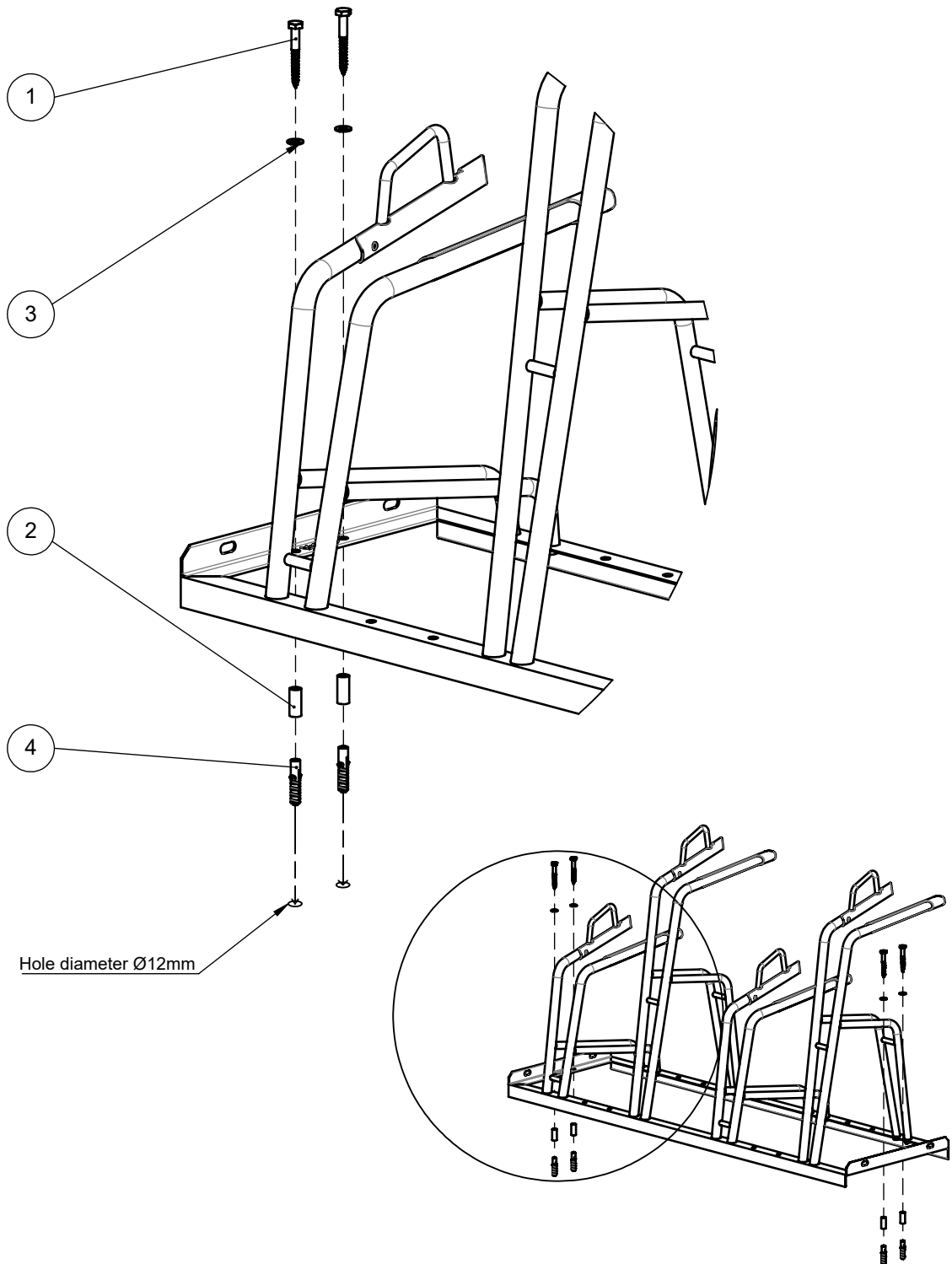


Mounting instructions - Fouchet+

Directly on the ground



© Copyright VelopA B.V.
www.velopa.com
MAL



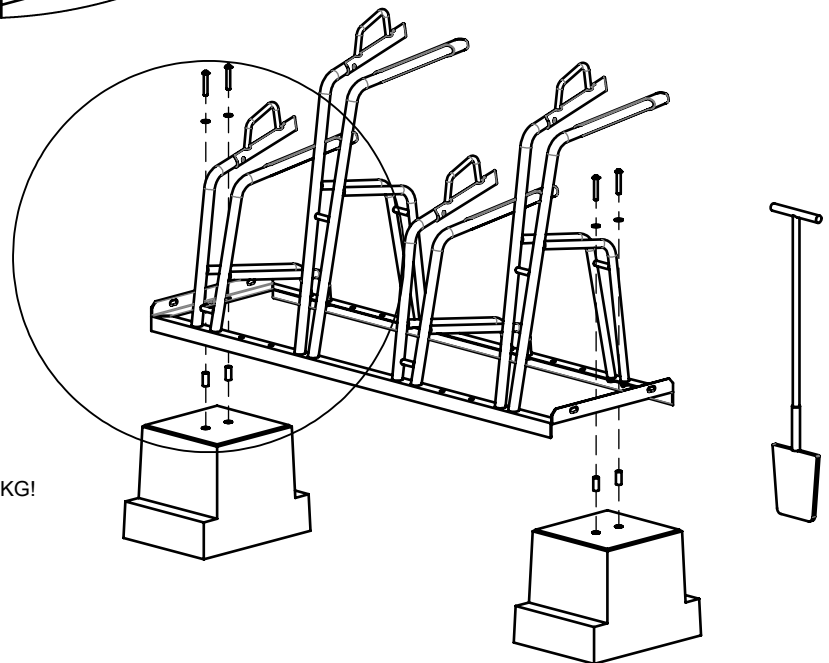
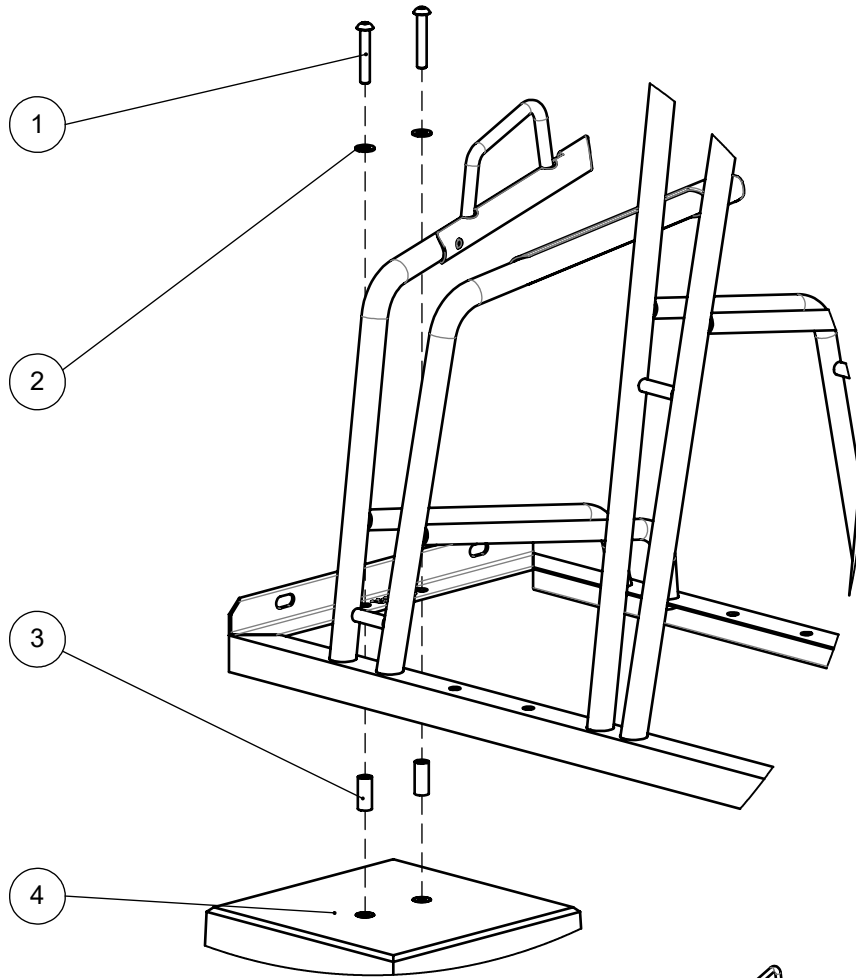
Pos. no.	Qty.	Art.no.	Remark	Name
1	4	-	DIN 571 - Ø10x80	Hex head wood screw
2	4	63030027	10,3 x 15 x 35mm	Spacer
3	4	54140000	DIN 125 - M10	Washer
4	4	-	12mm	Nylon plug

Mounting instructions - Fouchet+

Concrete feet



© Copyright VelopA B.V.
www.velopa.com
MAL



Betonvoeten ingraven, gelijk met maaiveld!
Enterrer le socle en béton à fleur de sol!
Betonfundamente eingraben, Oberseite bündig mit OKG!
Entrench concrete foot, level with ground surface!

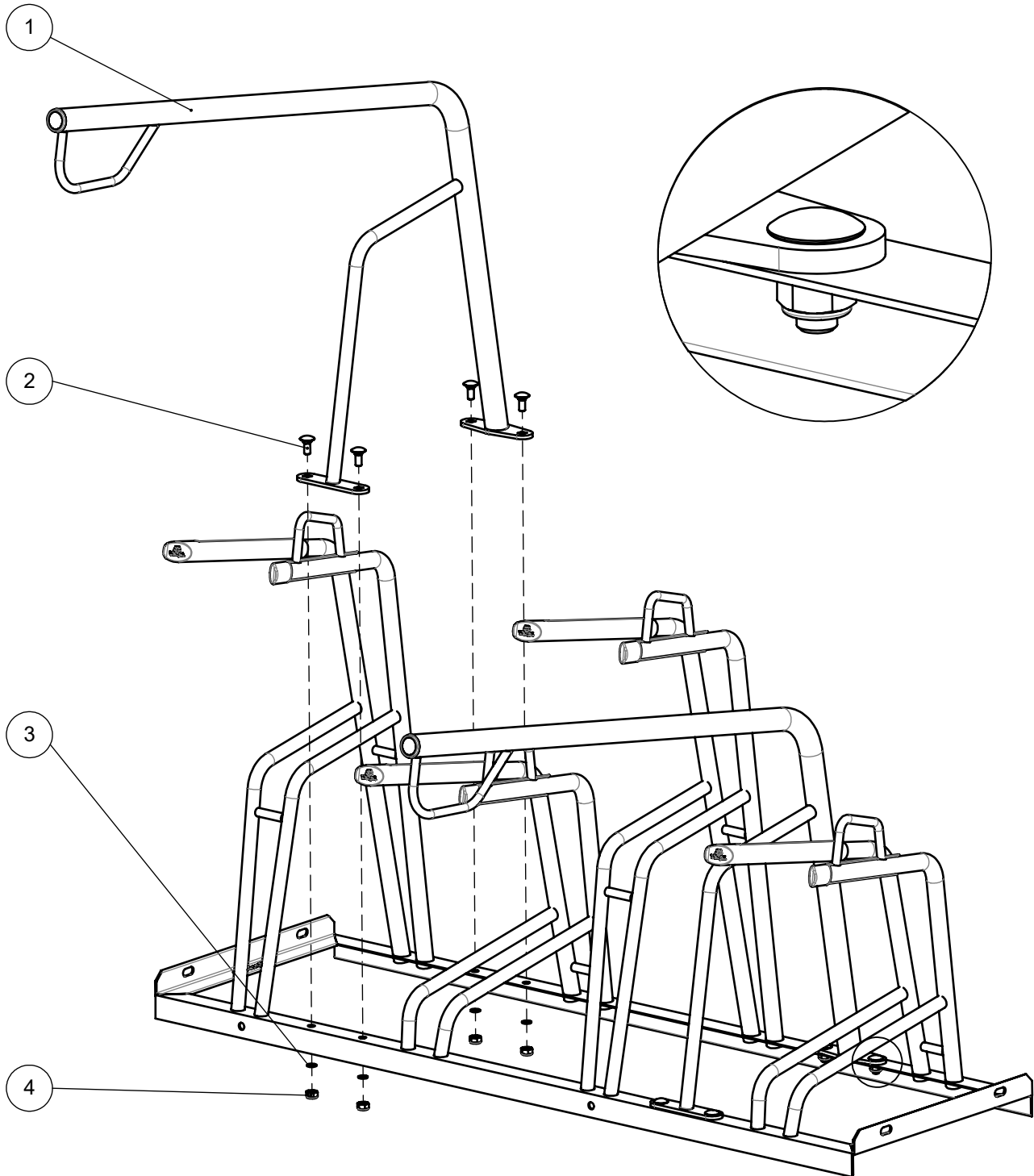
Pos. no.	Qty.	Art.no.	Remark	Name
1	4	54941060	ISO7380 - M10x60	Socket button head
2	4	54140000	DIN 125 - M10	Washer
3	4	63030027	10,3 x 15 x 35mm	Spacer
4	2	29500100	2x M10x60	Concrete foot with 2 inserts

Mounting instructions - Fouchet+

Extra connection facility - Single sided



© Copyright VelopA B.V.
www.velopa.com
MAL



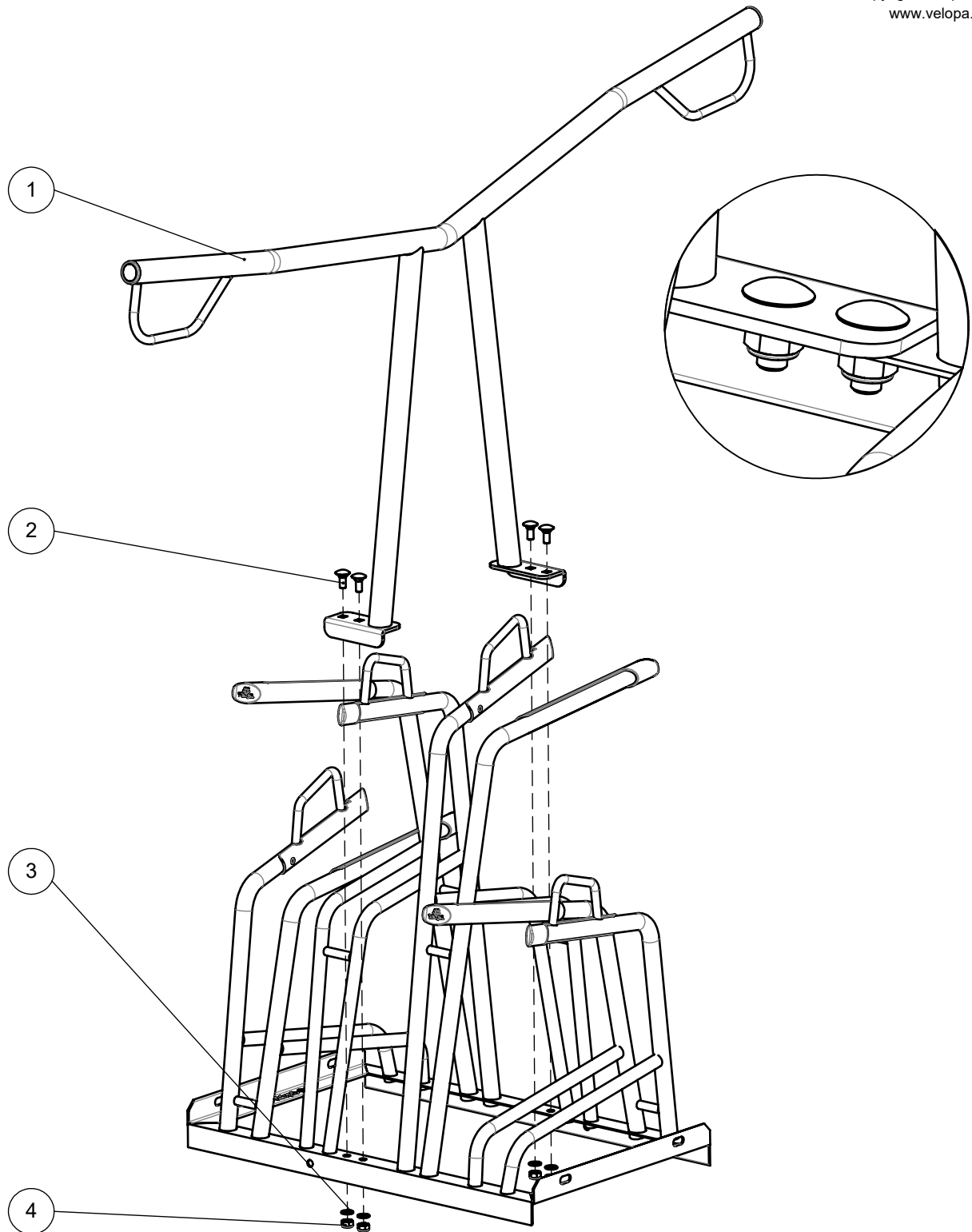
Pos. no.	Qty.	Art.no.	Remark	English
1	1	30632550, 30632560	-	Fourchet+_connection facility SS
2	4	51840030	DIN 603 - M10x25	Square necked bolt
3	4	54130000	ISO 7089 - M8	Washer
4	4	54340000	DIN 985 - M10	Torque nut

Mounting instructions - Fouchet+

Extra connection facility - Double sided



© Copyright VelopA B.V.
www.velopa.com
MAL



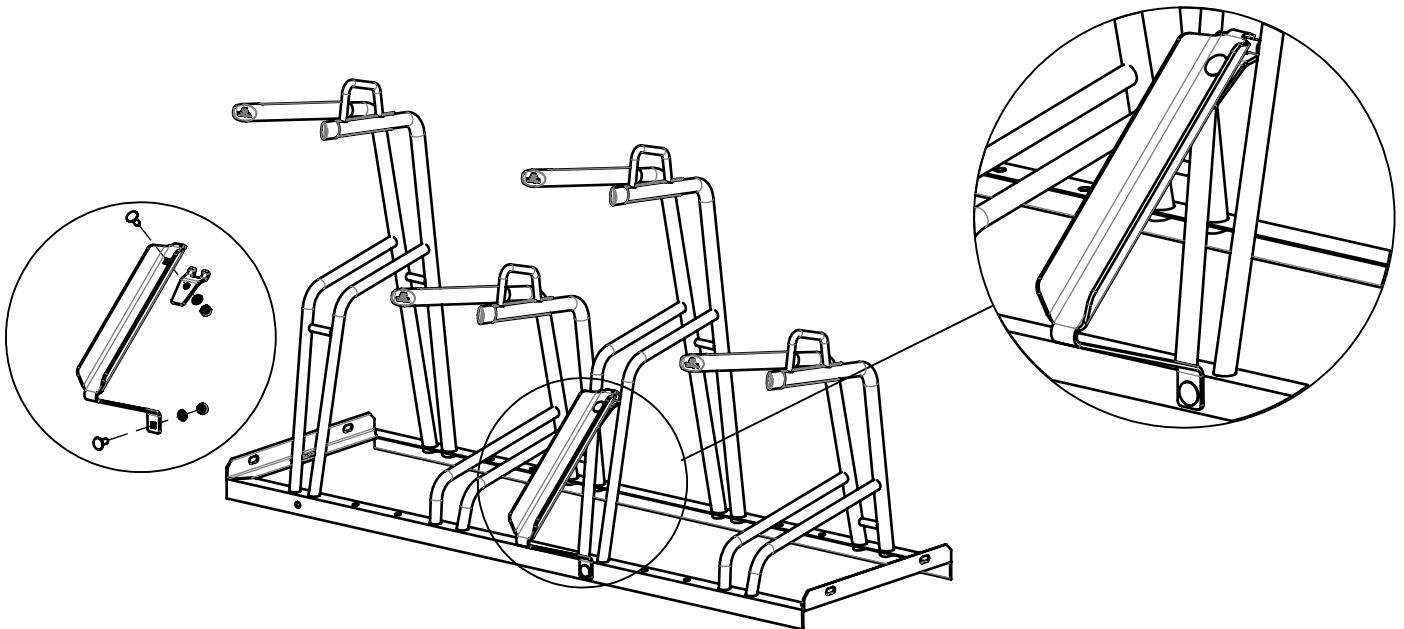
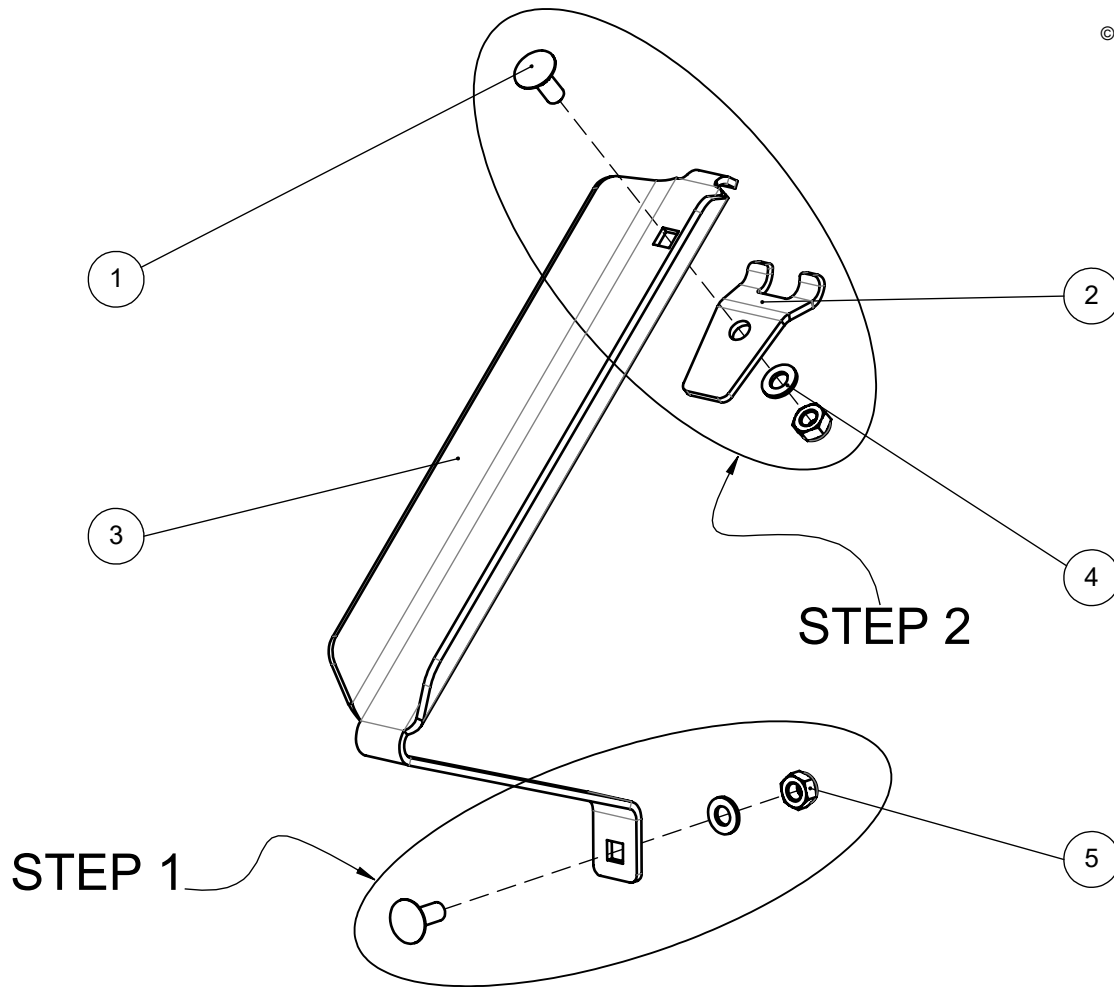
Pos. no.	Qty.	Art.no.	Remark	Name
1	1	30632570, 30632580	-	Fourchet+_connection facility DS
2	4	51840030	DIN 603 - M10x25	Square necked bolt
3	4	54140000	DIN 125 - M10	Washer
4	4	54340000	DIN 985 - M10	Torque nut

Mounting instructions - Fouchet+

ParkAssist



© Copyright VelopA B.V.
www.velopa.com
MAL



Pos. no.	Qty.	Art.no.	Remark	Name
1	2	51840030	DIN 603 - M10x25	Square necked bolt
2	1	30693010,30693015, 30693016	-	ParkAssist lock plate
3	1	30693000, 30693005, 30693006	-	ParkAssist ramp
4	2	54140000	DIN 125 - M10	Washer
5	2	54340000	DIN 985 - M10	Torque nut