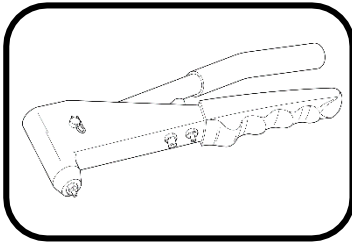
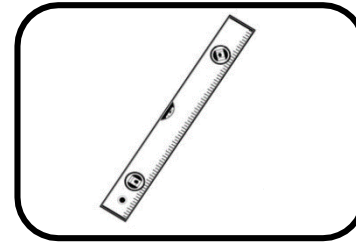
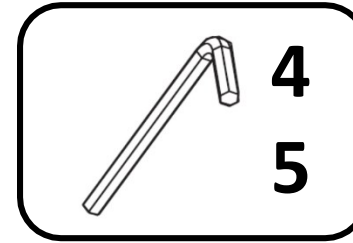
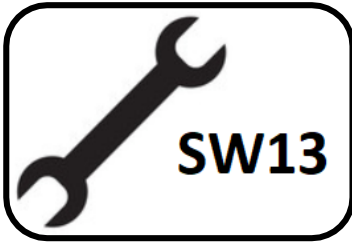
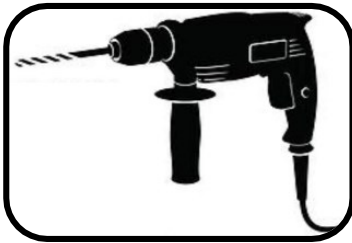
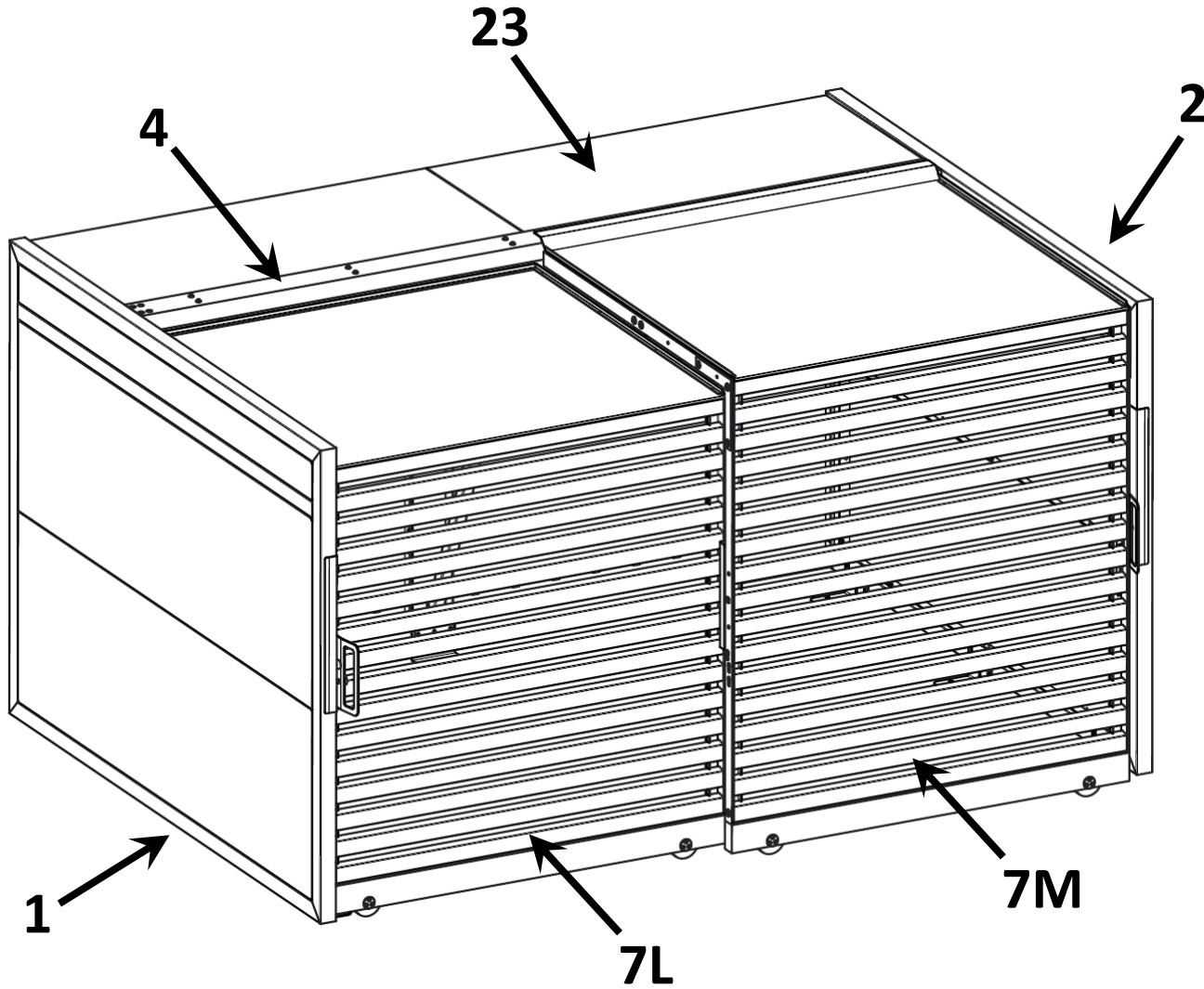


Tools needed

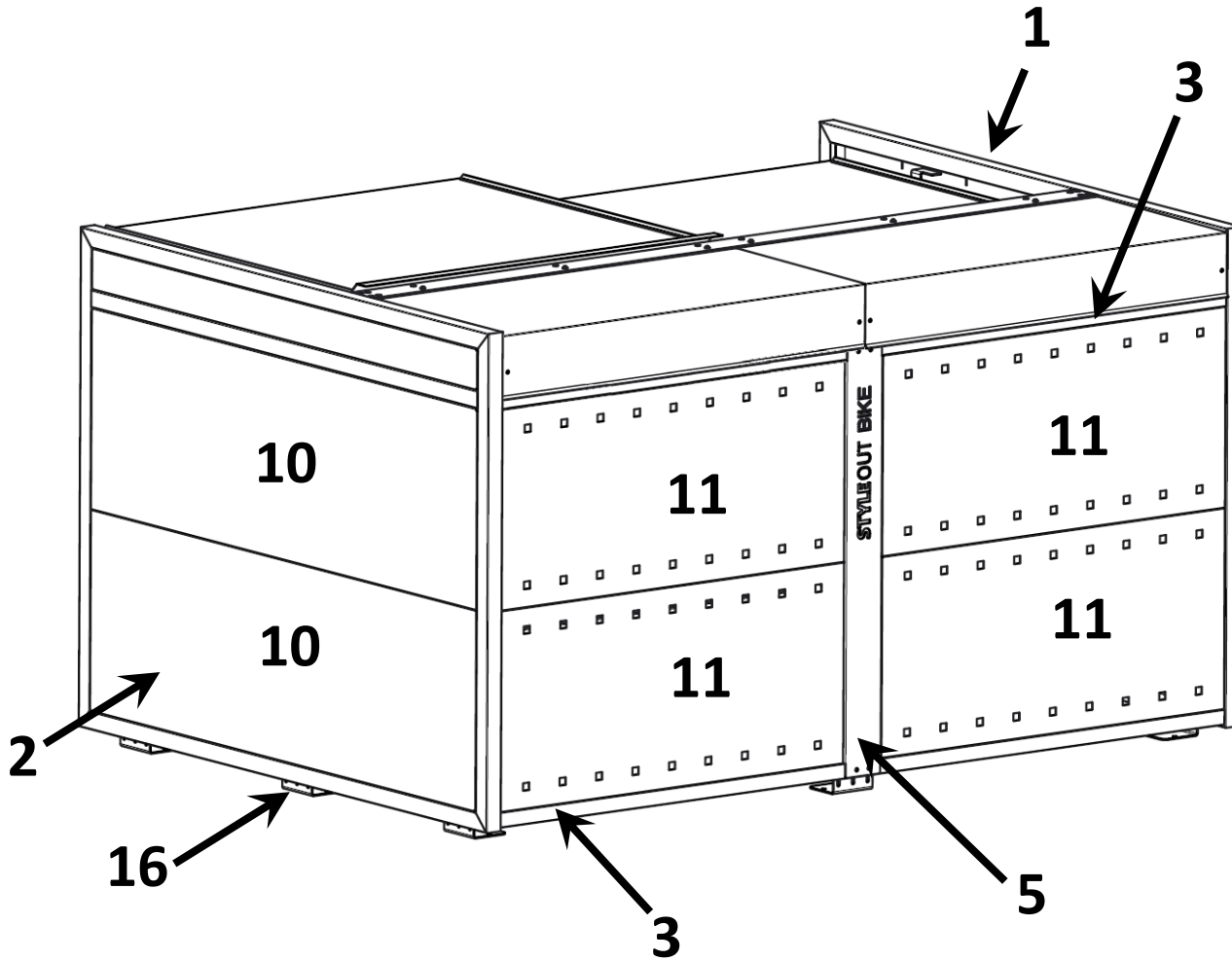


ASSEMBLY INSTRUCTIONS FOR STYLEOUT® BIKE



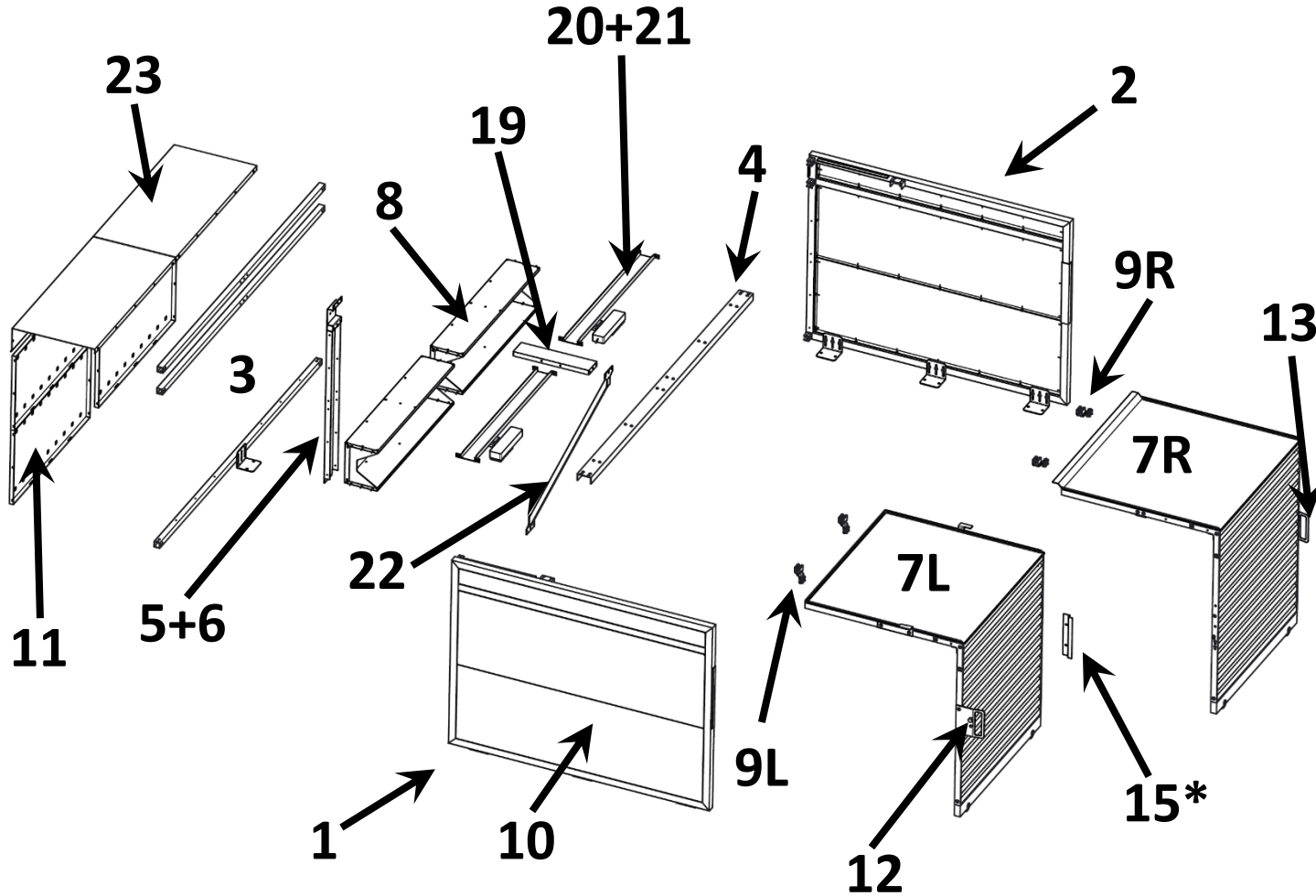
	STYLEOUT® BIKE
1	1x
2	1x
3	3x
4	1x
5	1x
6	1x
7	1xL, 1xR
8	2x
9	2xL, 2xR
10	4x
11	4x
12	1x
13	1x
14	2x
15	1x
16	7x
17	2x
18	2x
19	1x
20	2x
21	2x
22	1x
23	2x

ASSEMBLY INSTRUCTIONS FOR STYLEOUT® BIKE



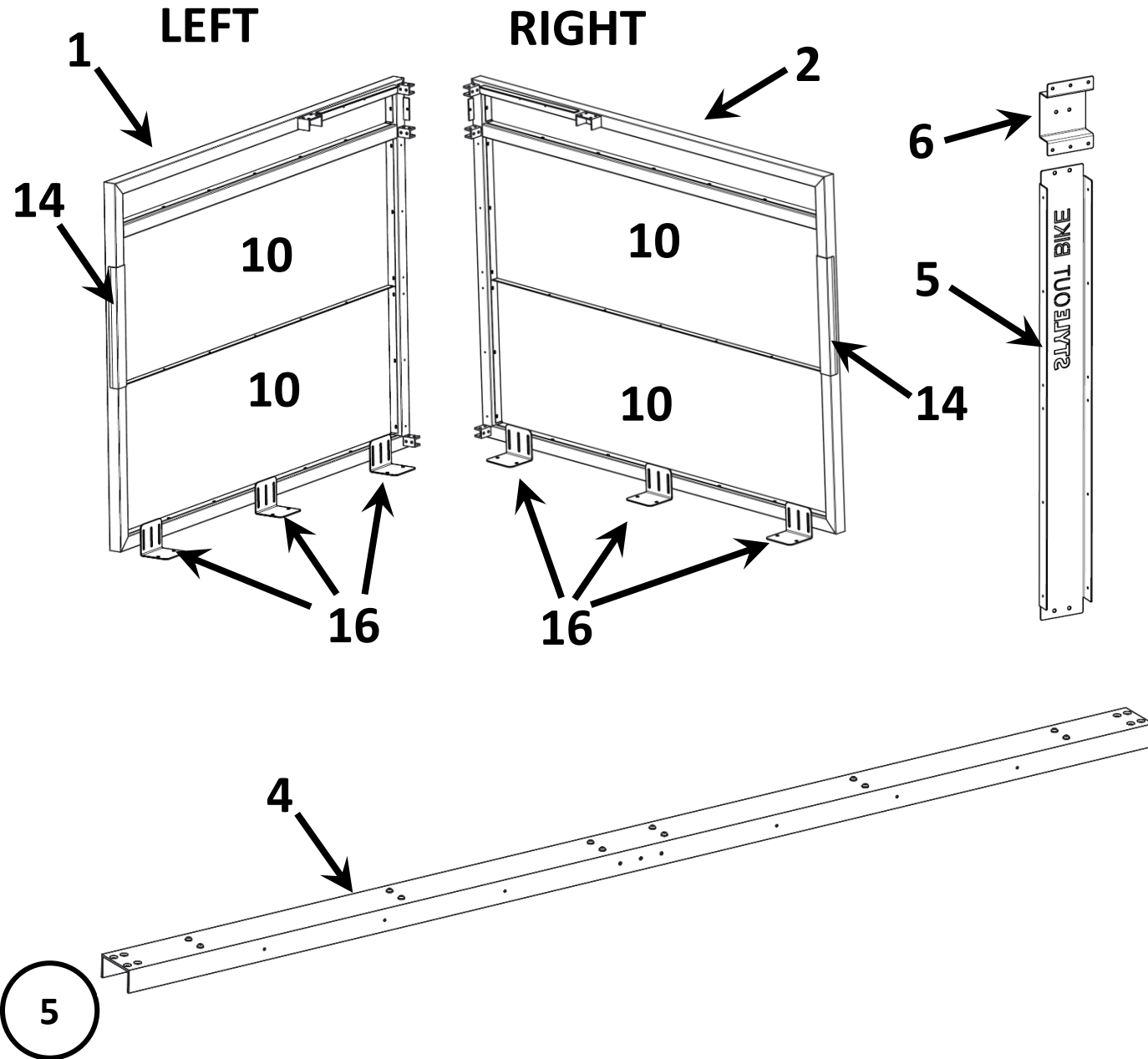
	STYLEOUT® BIKE
1	1x
2	1x
3	3x
4	1x
5	1x
6	1x
7	1xL, 1xR
8	2x
9	2xL, 2xR
10	4x
11	4x
12	1x
13	1x
14	2x
15	1x
16	7x
17	2x
18	2x
19	1x
20	2x
21	2x
22	1x
23	2x

ASSEMBLY INSTRUCTIONS FOR STYLEOUT® BIKE



	STYLEOUT® BIKE
1	1x
2	1x
3	3x
4	1x
5	1x
6	1x
7	1xL, 1xR
8	2x
9	2xL, 2xR
10	4x
11	4x
12	1x
13	1x
14	2x
15	1x
16	7x
17	2x
18	2x
19	1x
20	2x
21	2x
22	1x
23	2x

ASSEMBLY INSTRUCTIONS FOR STYLEOUT® BIKE

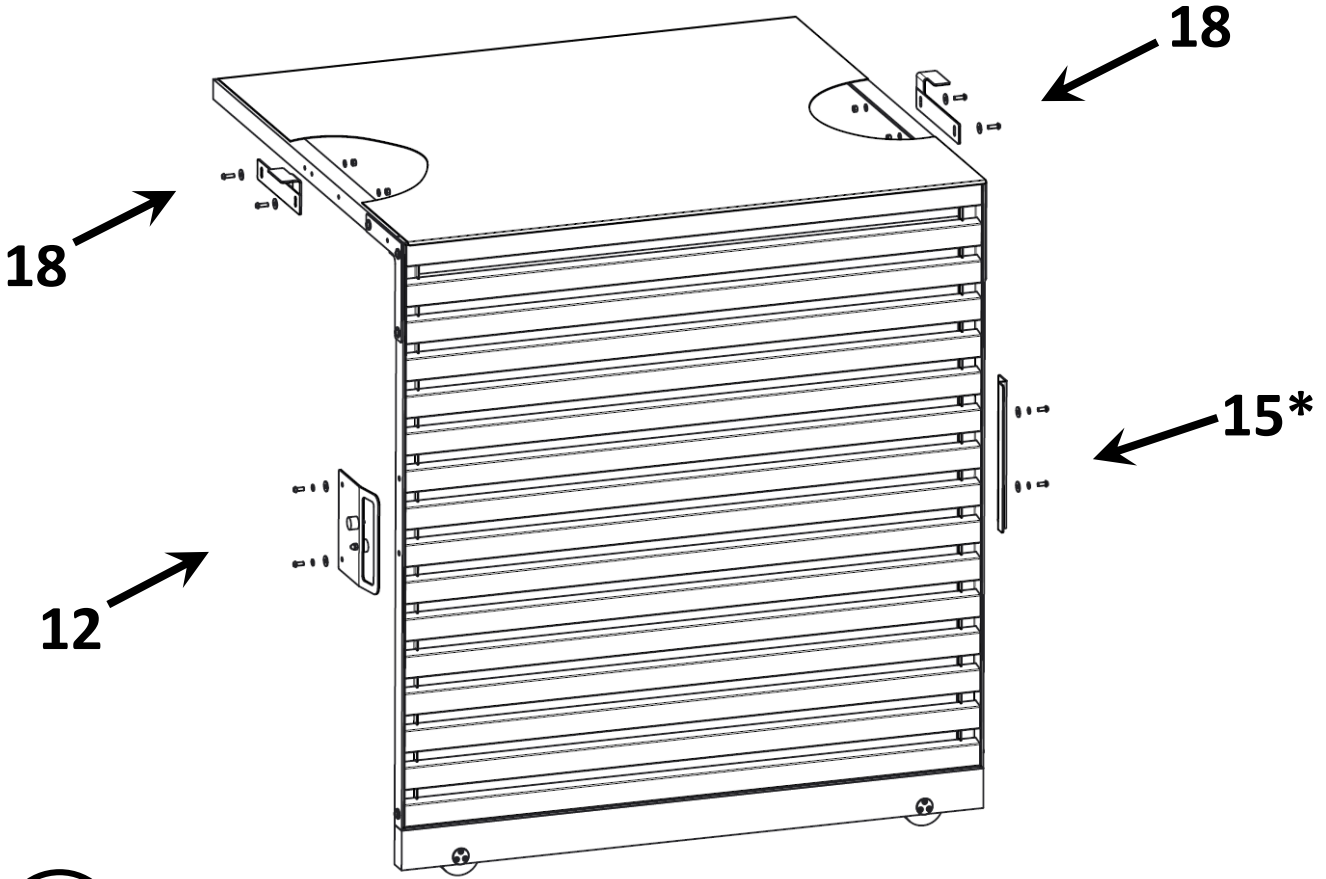
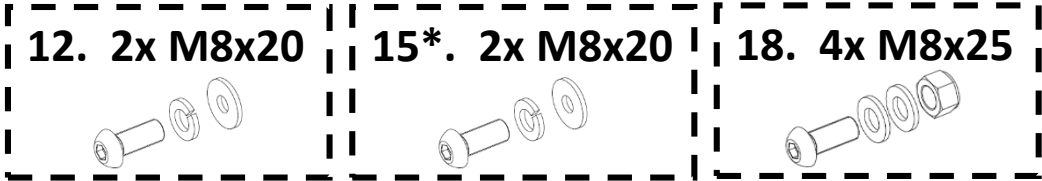


	STYLEOUT® BIKE
1	1x
2	1x
3	3x
4	1x
5	1x
6	1x
7	1xL, 1xR
8	2x
9	2xL, 2xR
10	4x
11	4x
12	1x
13	1x
14	2x
15	1x
16	7x
17	2x
18	2x
19	1x
20	2x
21	2x
22	1x
23	2x

ASSEMBLY INSTRUCTIONS FOR STYLEOUT® BIKE



7L (DOOR LEFT)



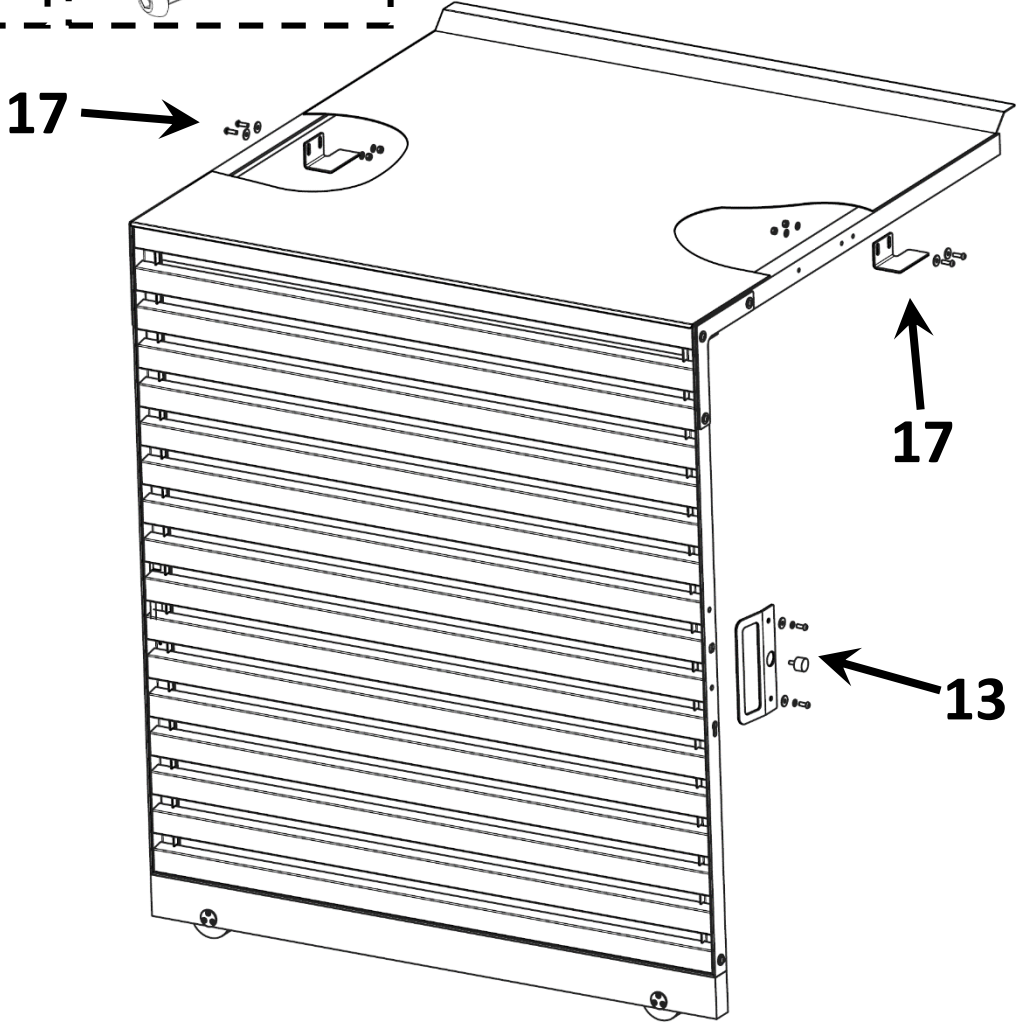
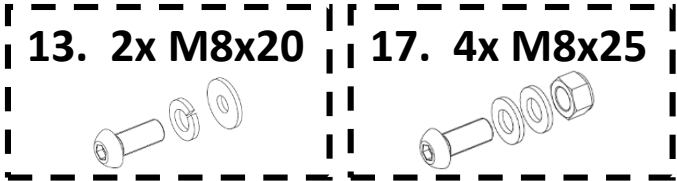
6

	STYLEOUT® BIKE
1	1x
2	1x
3	3x
4	1x
5	1x
6	1x
7	1xL, 1xR
8	2x
9	2xL, 2xR
10	4x
11	4x
12	1x
13	1x
14	2x
15	1x
16	7x
17	2x
18	2x
19	1x
20	2x
21	2x
22	1x
23	2x

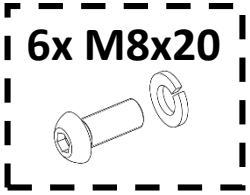
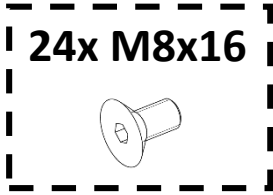
ASSEMBLY INSTRUCTIONS FOR STYLEOUT® BIKE



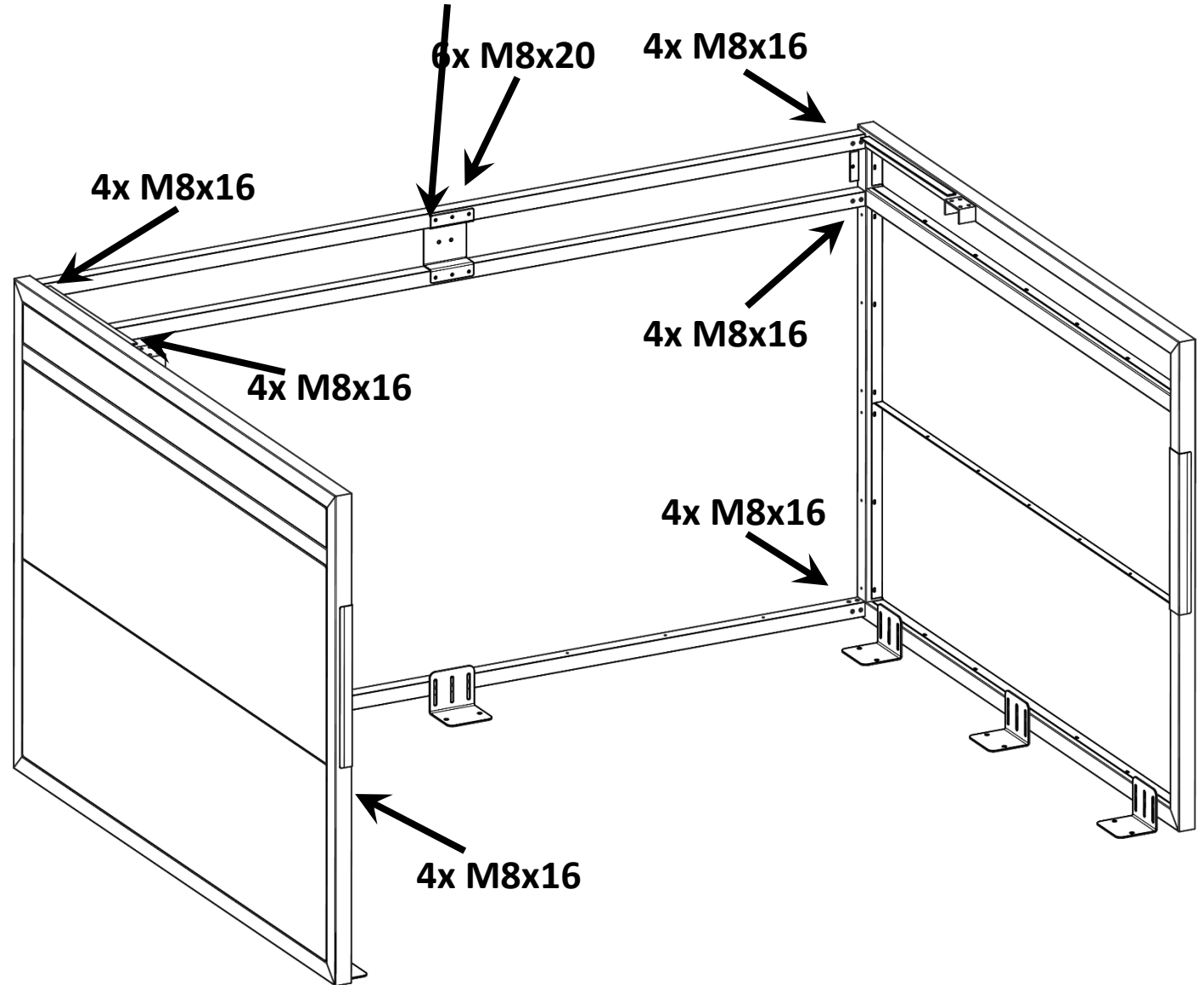
7R (DOOR RIGHT)

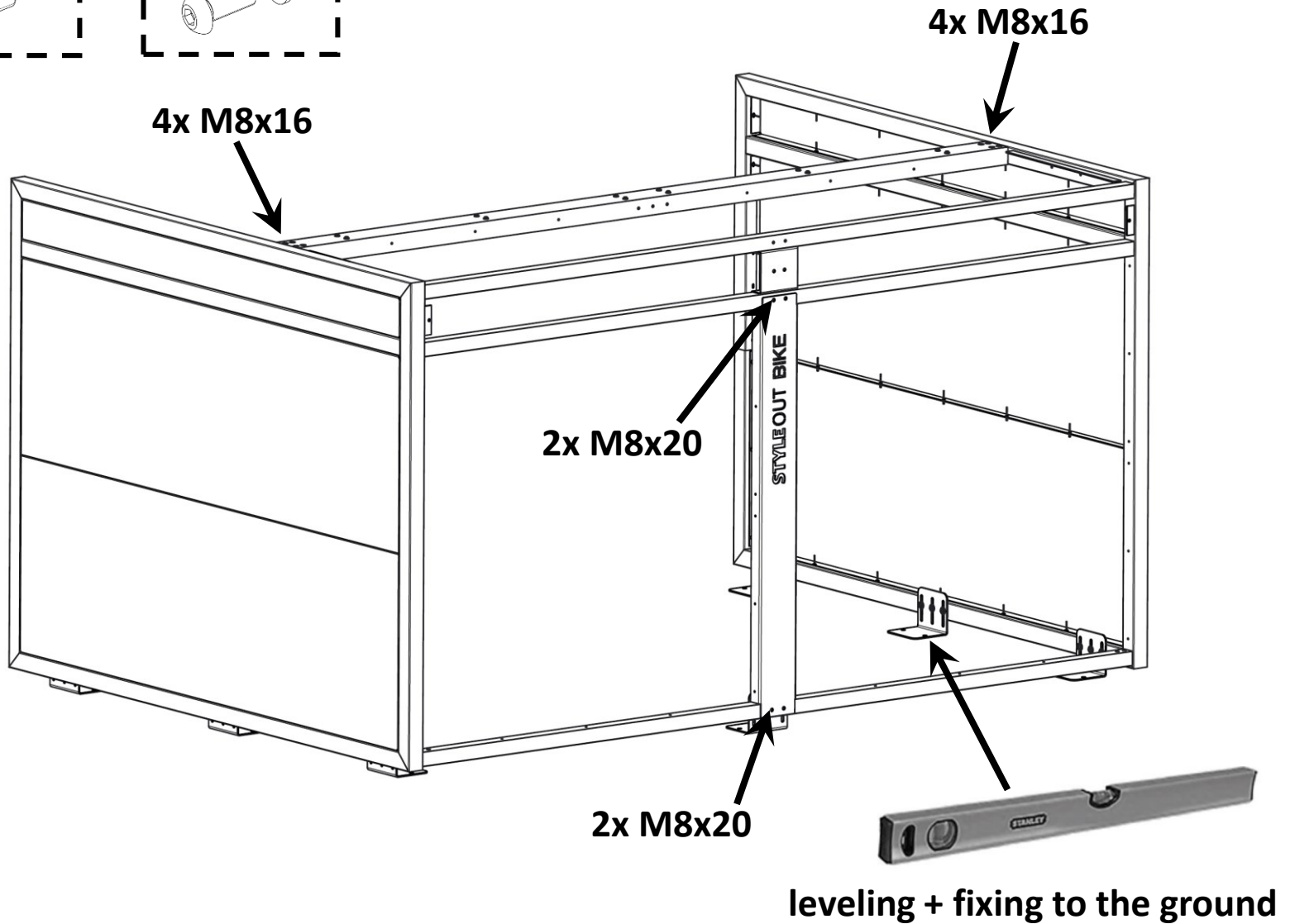
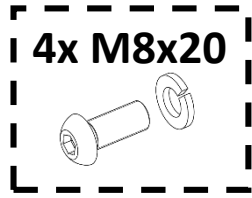
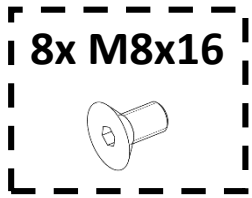


	STYLEOUT® BIKE
1	1x
2	1x
3	3x
4	1x
5	1x
6	1x
7	1xL, 1xR
8	2x
9	2xL, 2xR
10	4x
11	4x
12	1x
13	1x
14	2x
15	1x
16	7x
17	2x
18	2x
19	1x
20	2x
21	2x
22	1x
23	2x

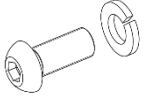


Fastening only after the roof rack has been installed



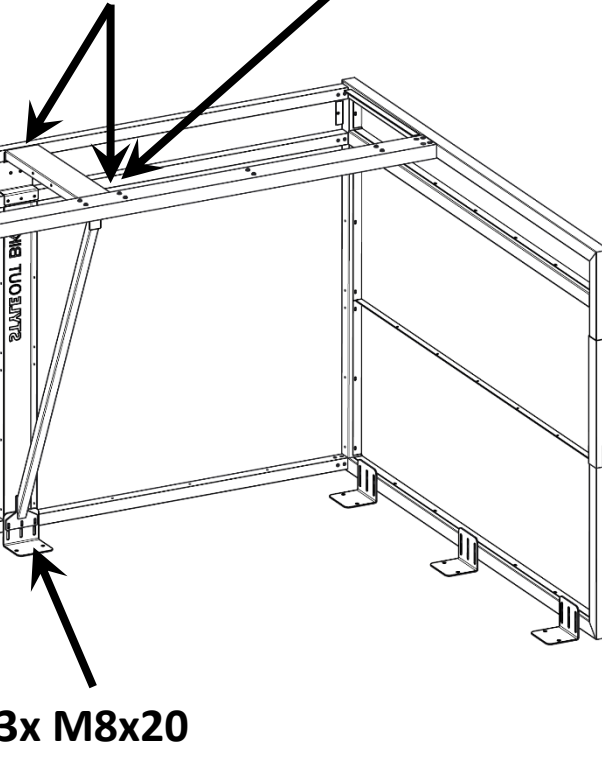


9x M8x20

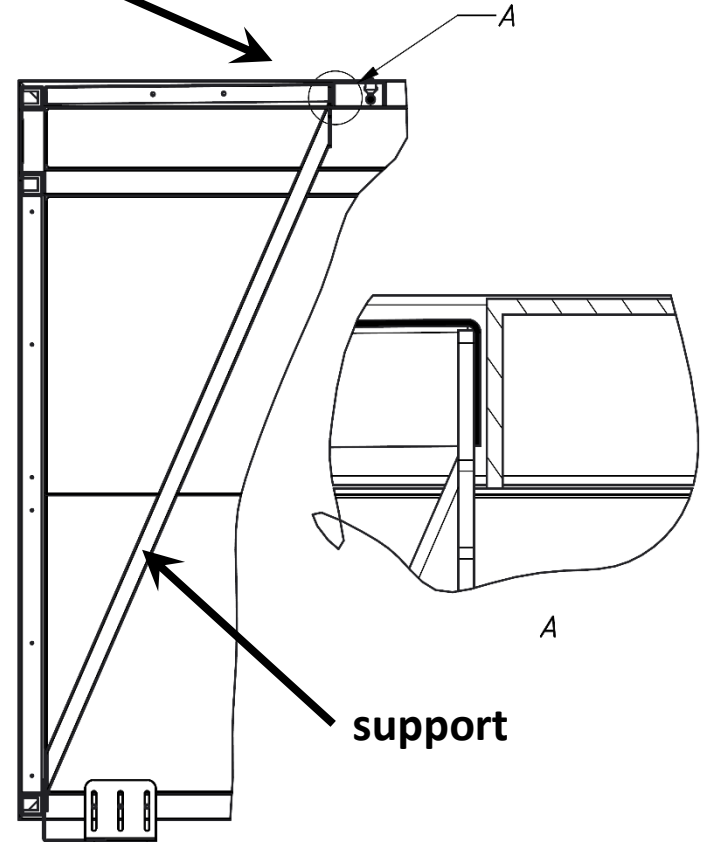


Install after mounting the roof

6x M8x20

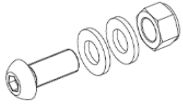


3x M8x20

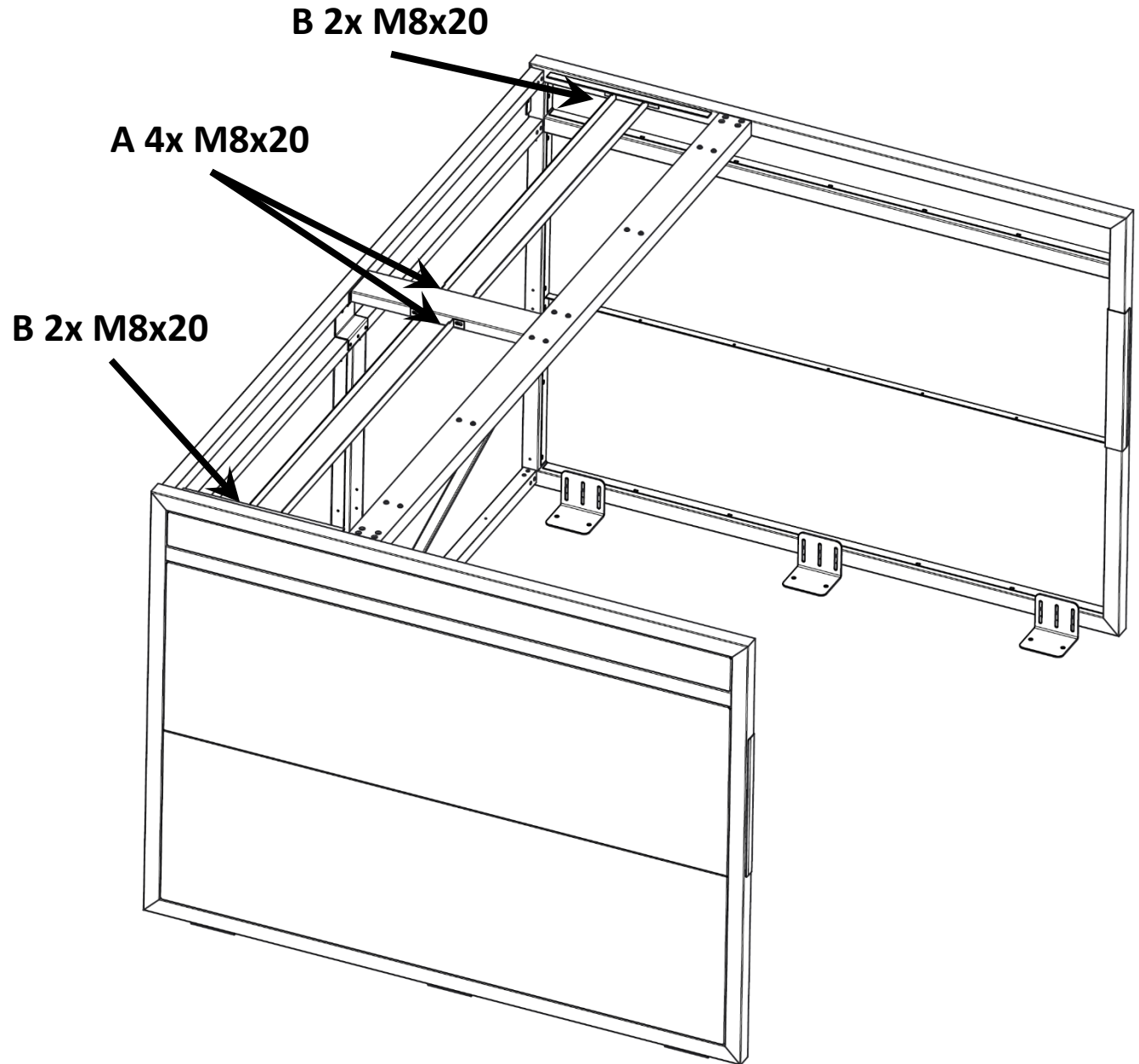
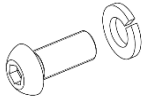


support

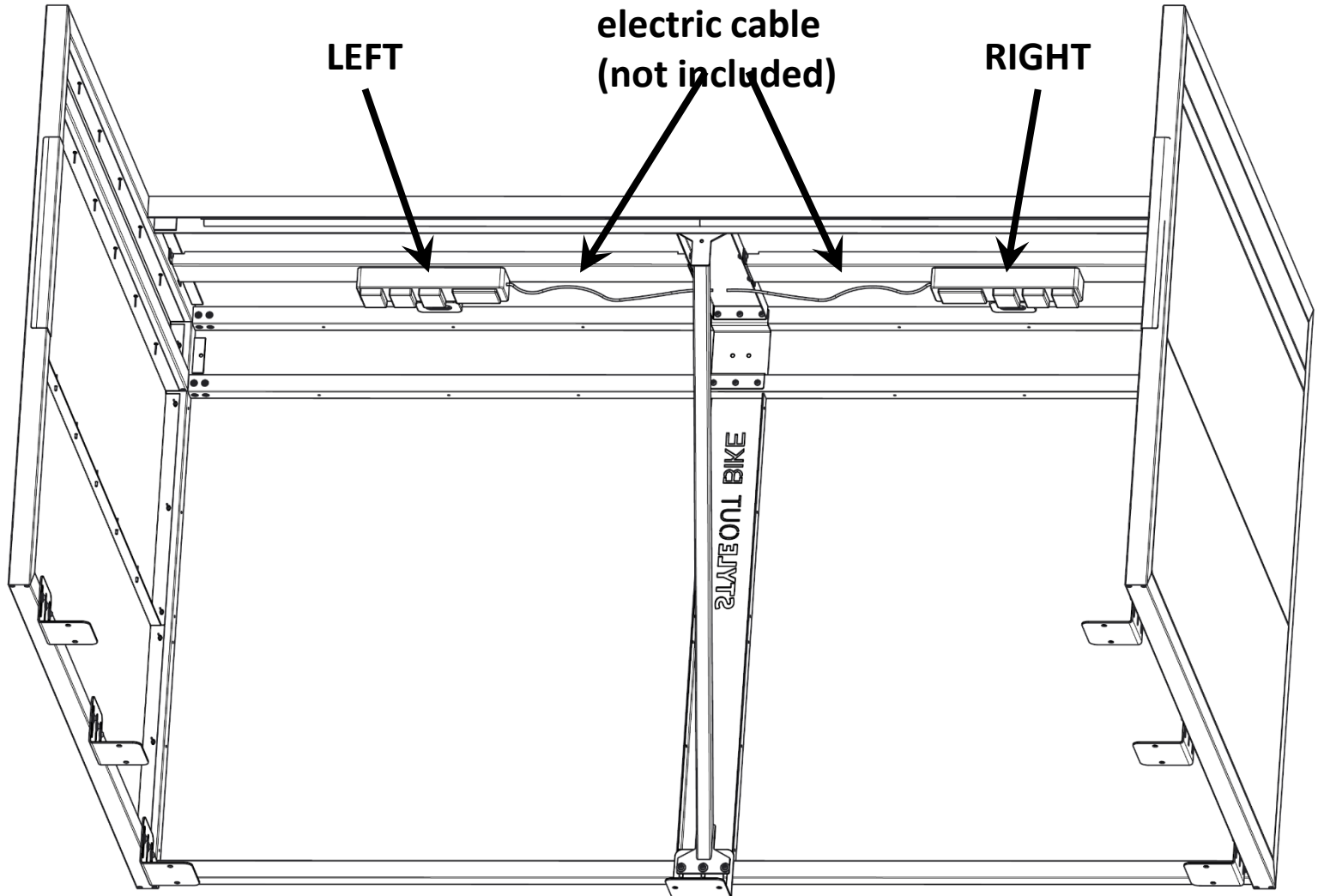
A 4x M8x20

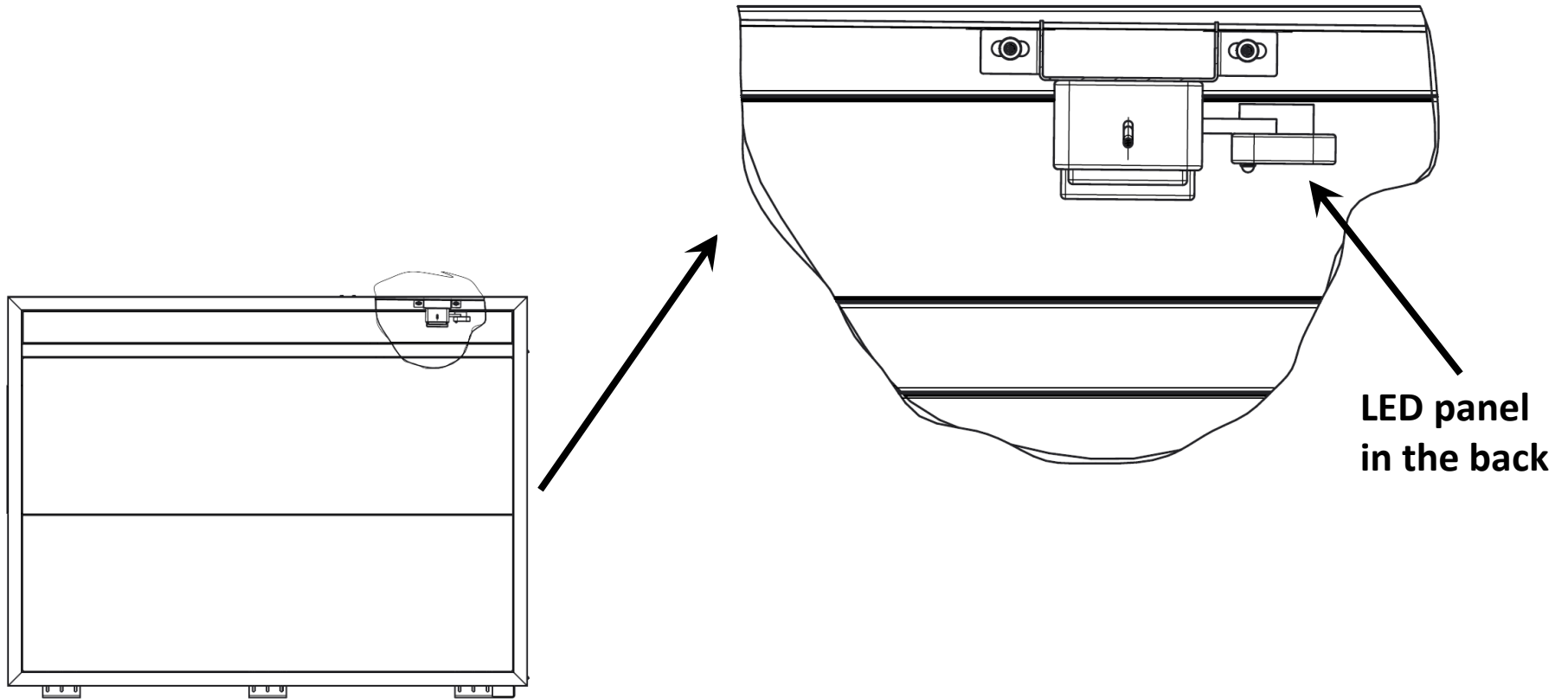


B 4x M8x20



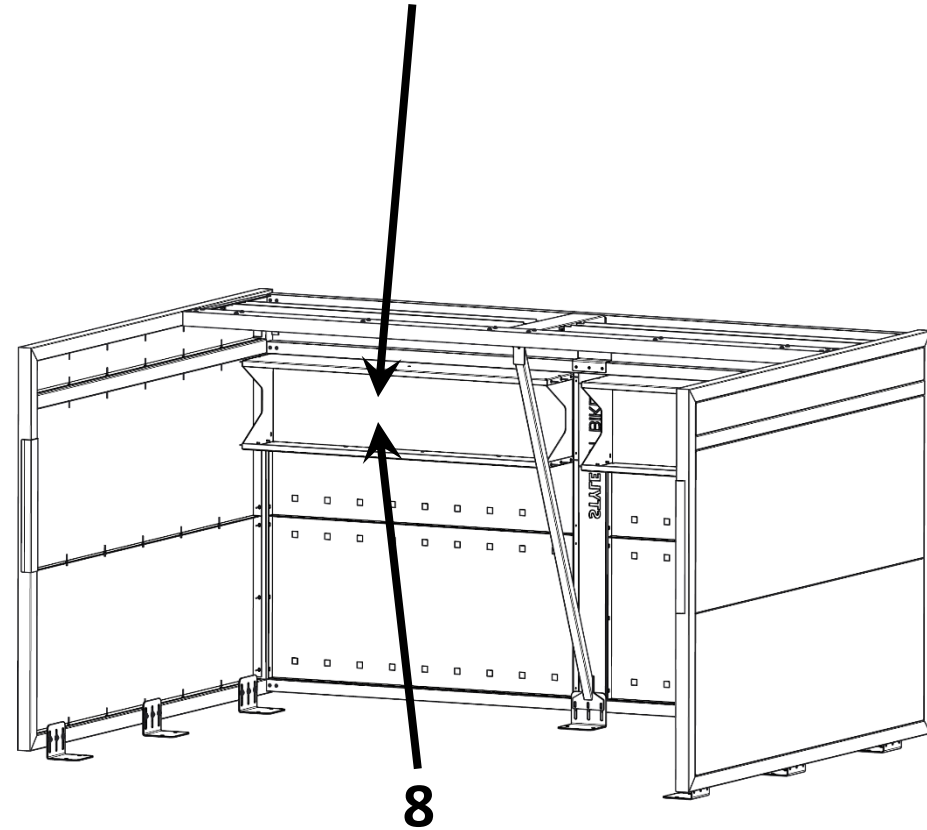
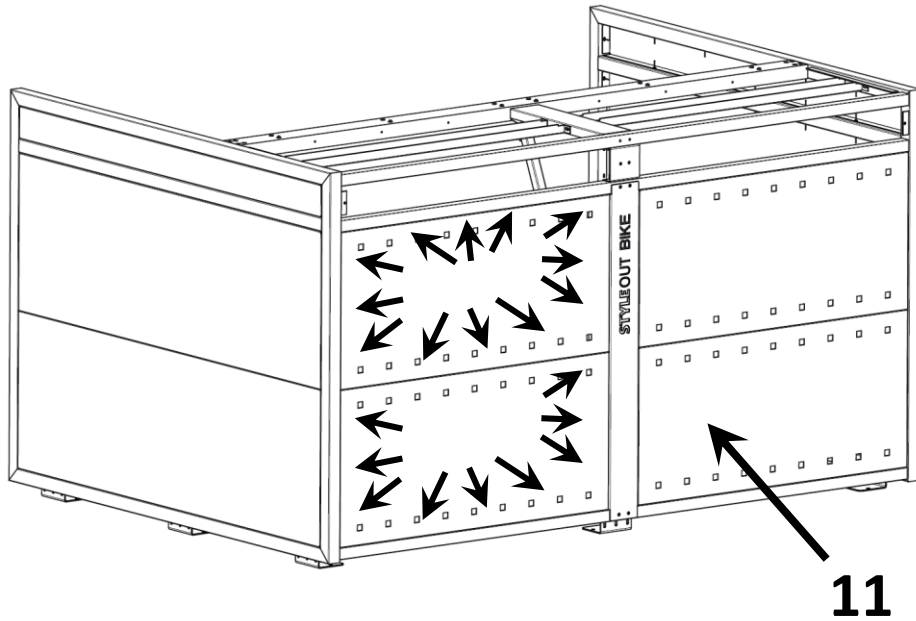
Note: Electricity optional extra price, if changed. Cable plug installation is not included.







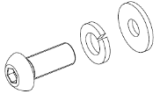
With mutligrip rivets (attach to side and top holes)



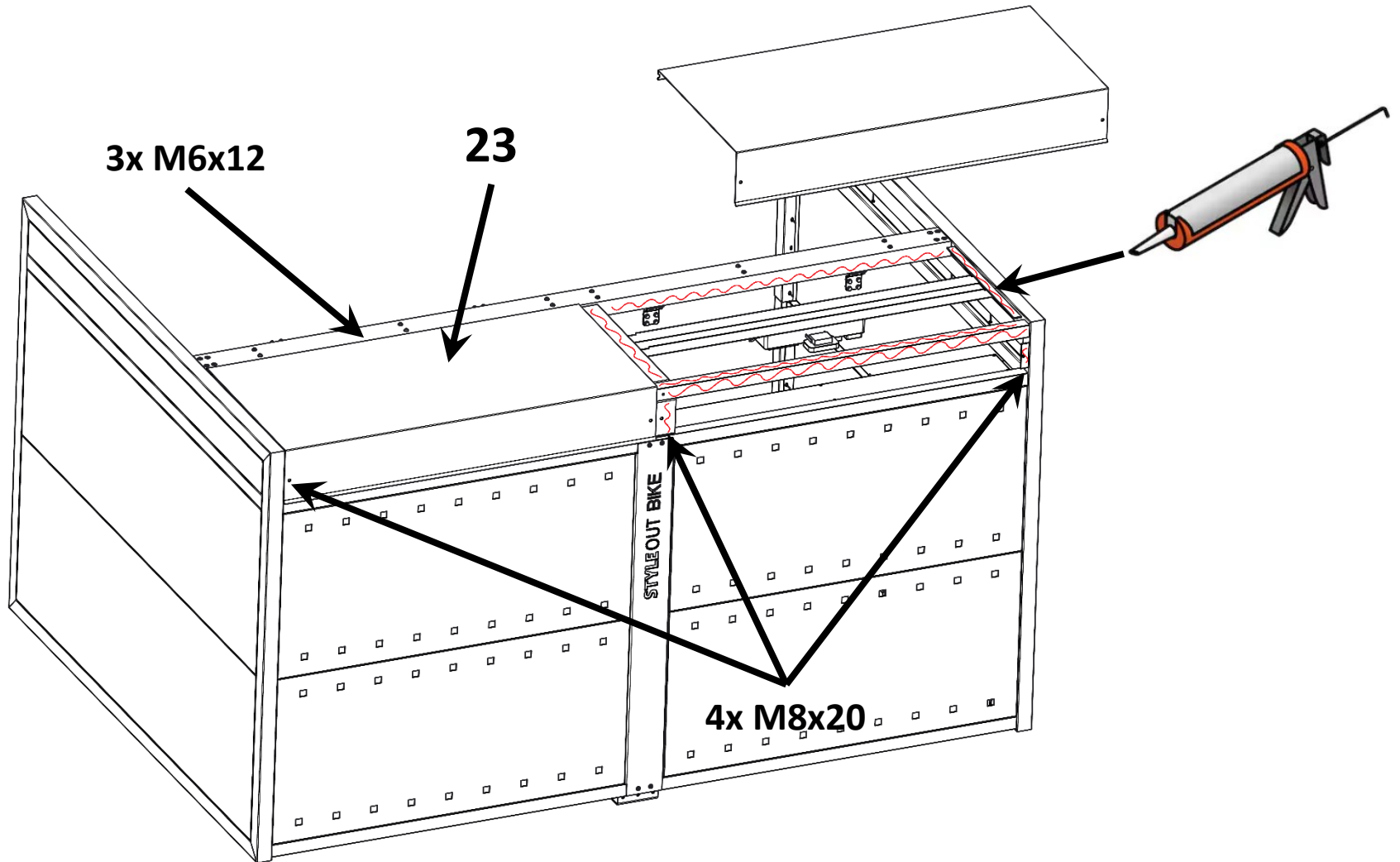
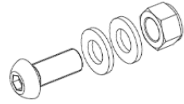
Note:
optional storage compartments at an extra charge, if ordered

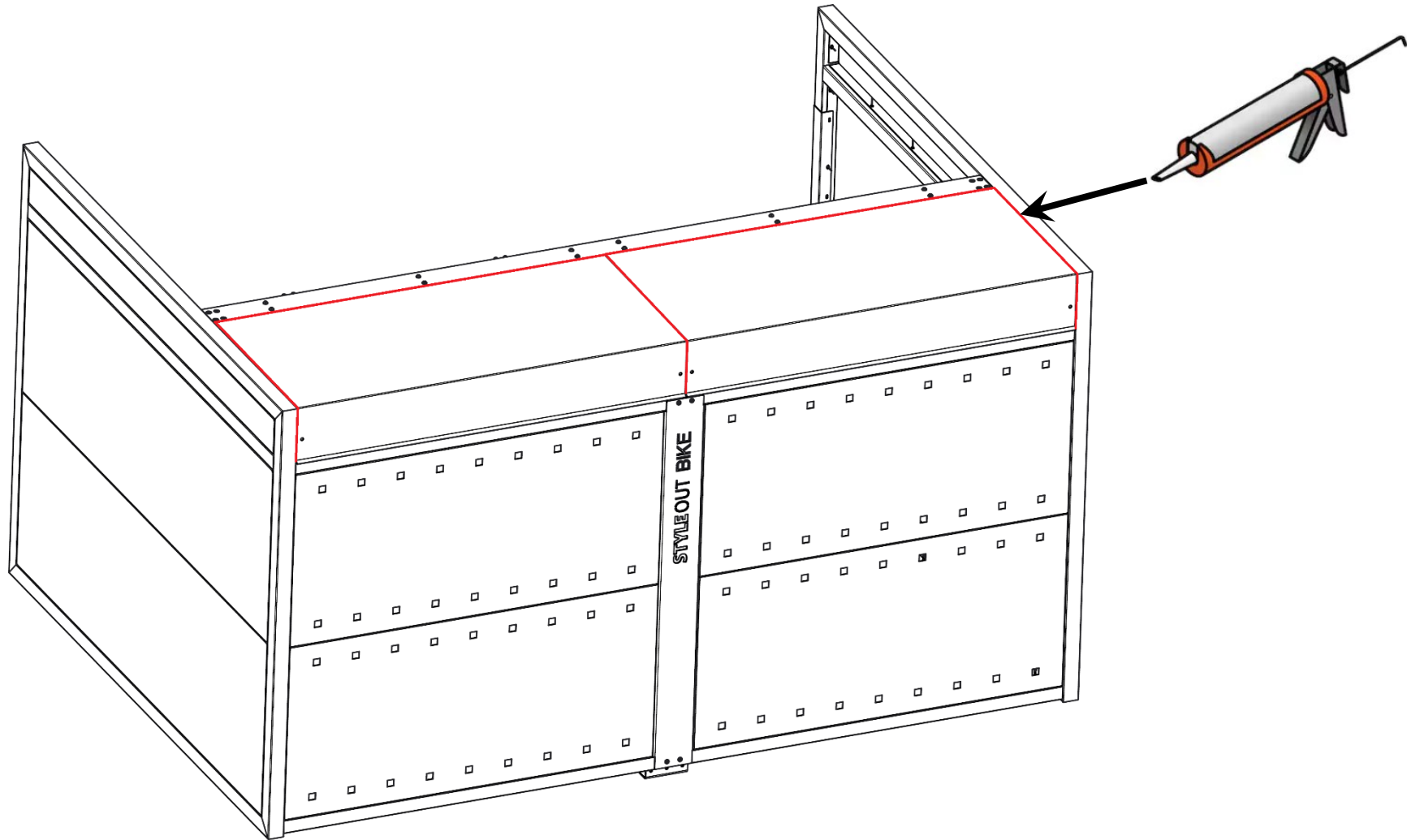
ASSEMBLY INSTRUCTIONS FOR STYLEOUT® BIKE

6x M6x12

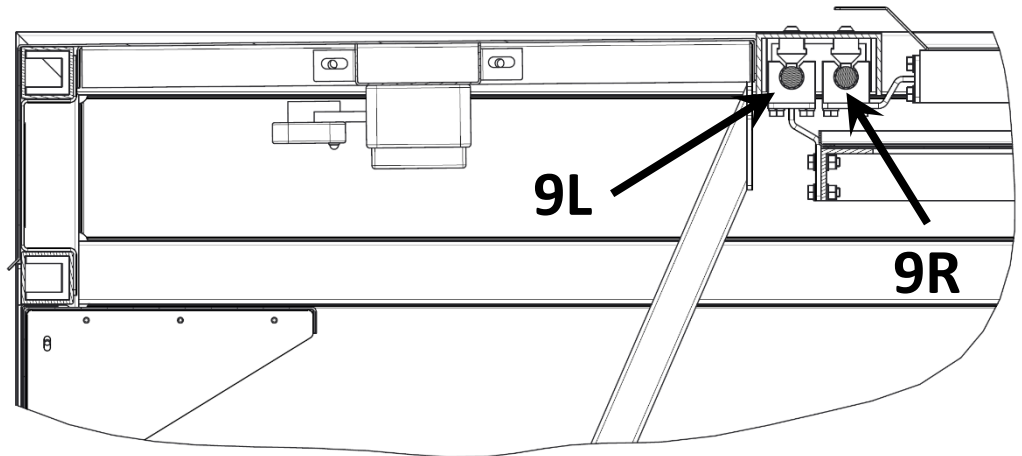
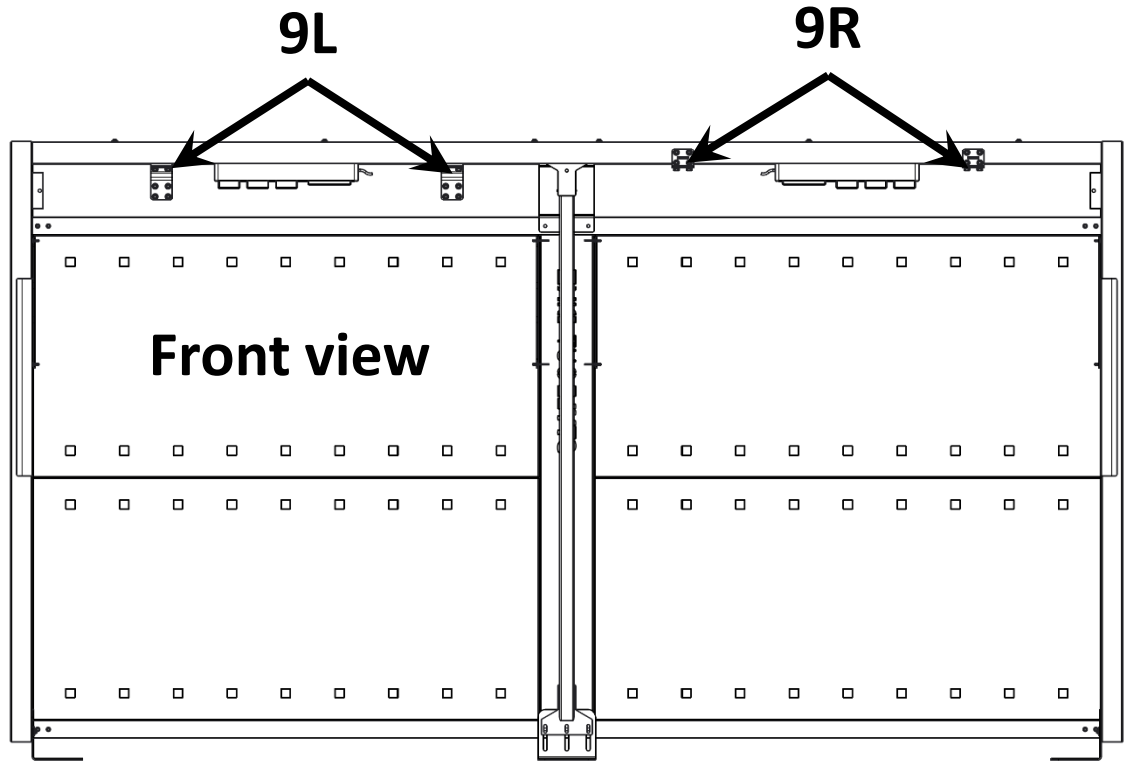
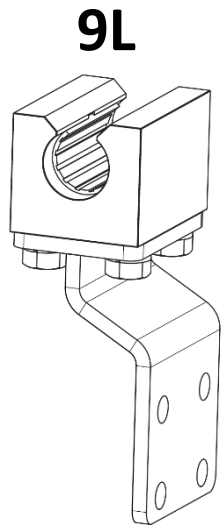
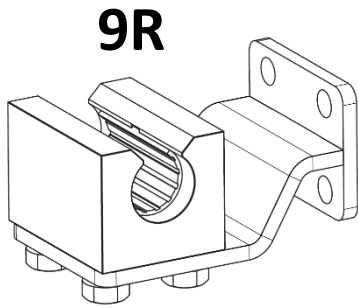


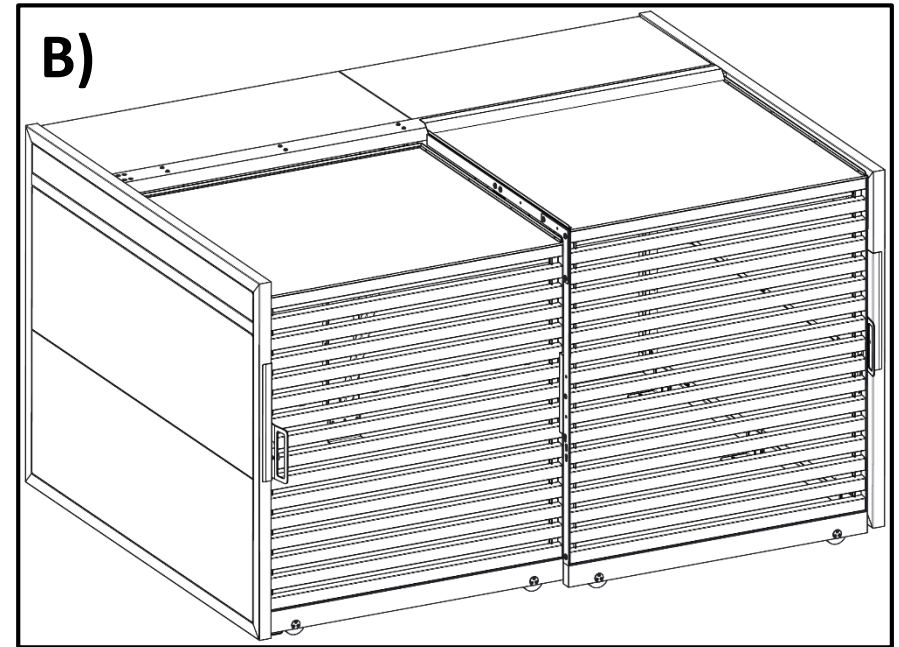
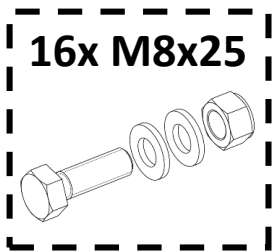
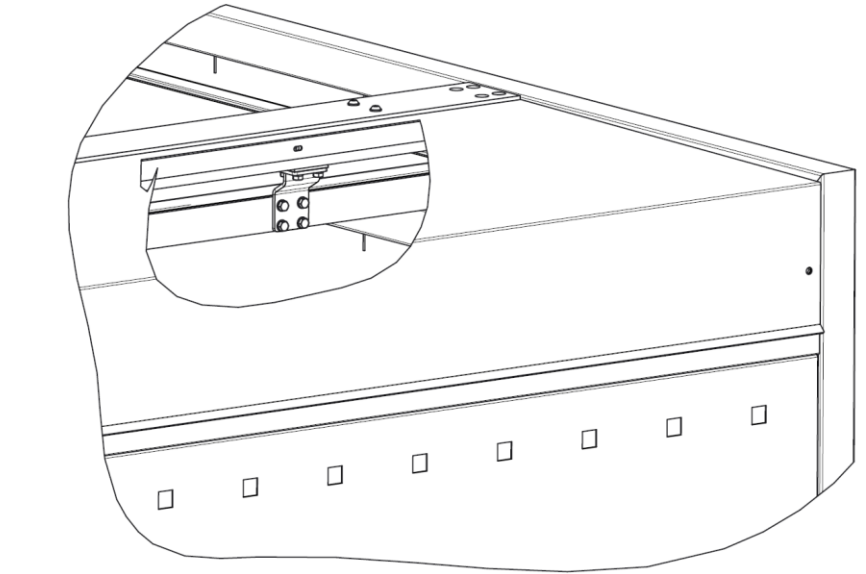
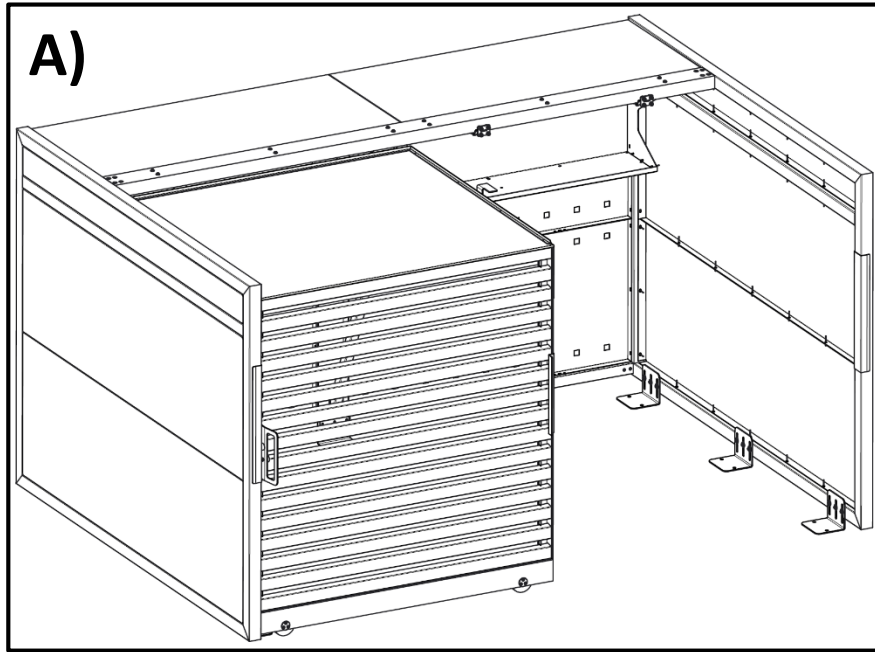
4x M8x20

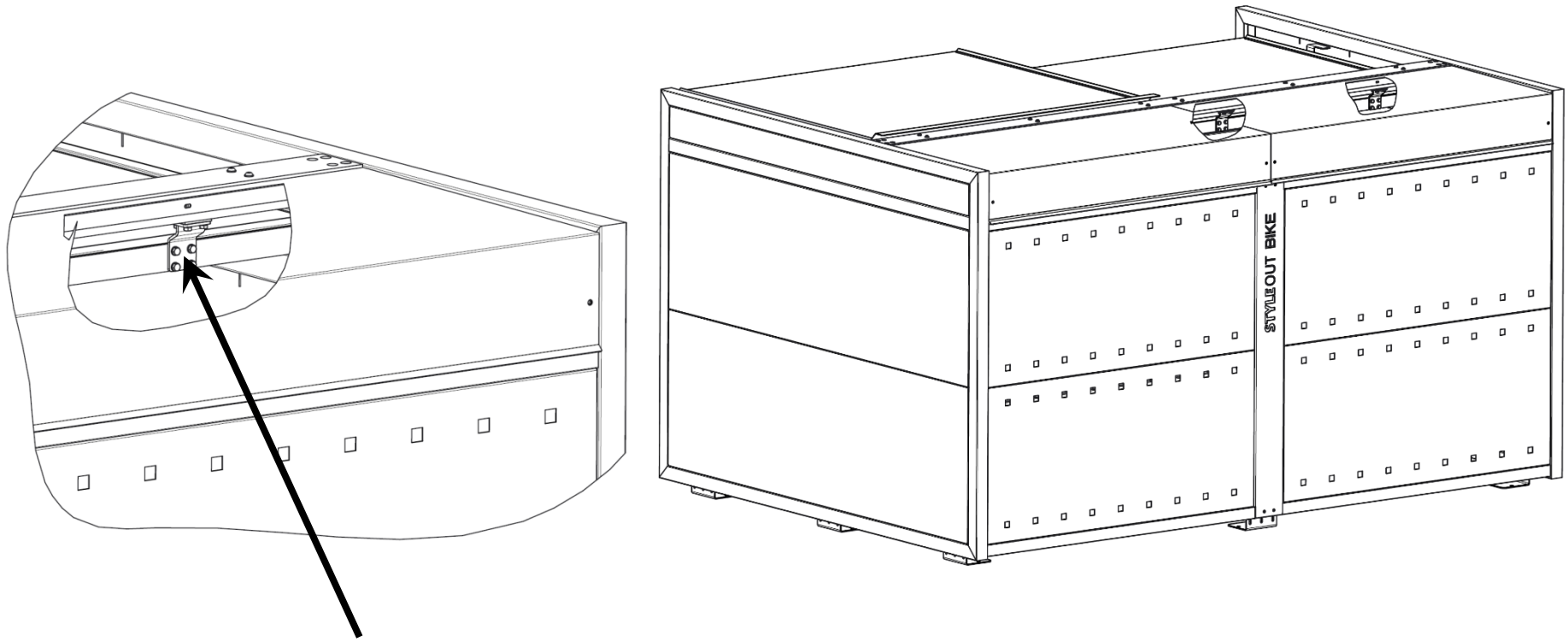




2x9L, 2x9R







If doors are not sliding properly:
Partially release the screws, then slide the doors left-right.
After sliding, tighten the screws again.
CAUTION: Do not grease the guide rods.